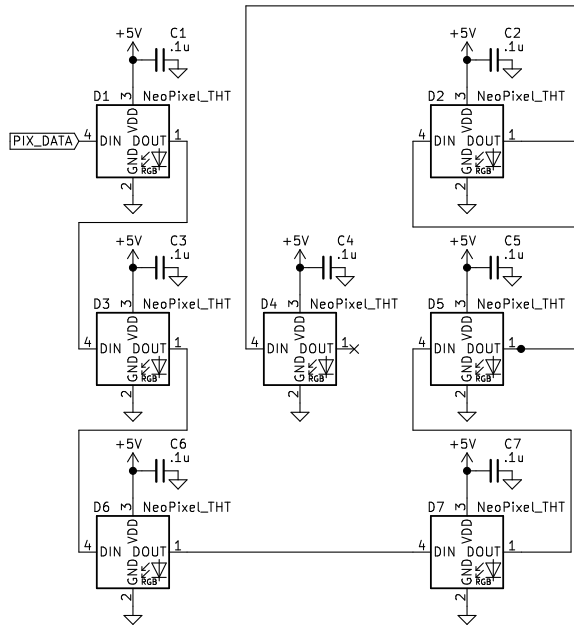


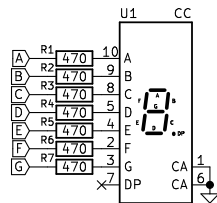
Arduino Dice PTH Shield

2020.12.02 L101 Created by R.S.Pierce
 2020.12.15 L102 fixes C8 polarity

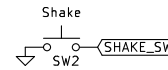
Dice Display



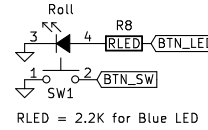
Numerical Display



Shake Sensor

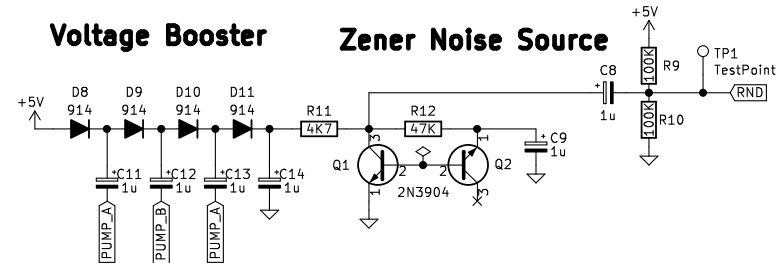


Lighted Button

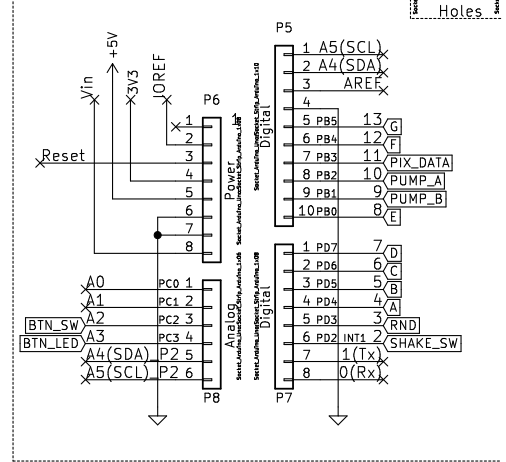
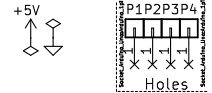


Voltage Booster

Zener Noise Source



Shield for Arduino that uses the same pin disposition like "Uno" board Rev 3.



Arduino UNO Shield