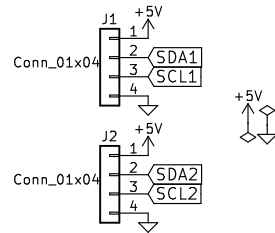
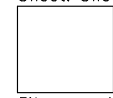


32 x 32 R-G LED Array

2026.04.01
R.S.Pierce

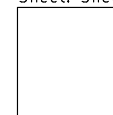


Sheet: Sheet1



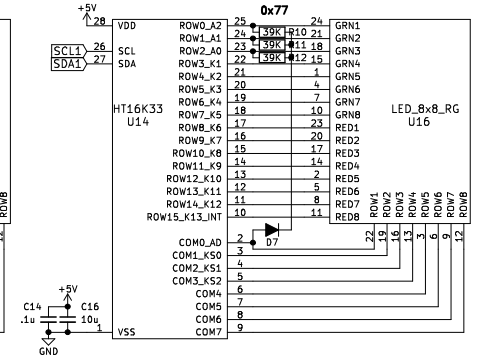
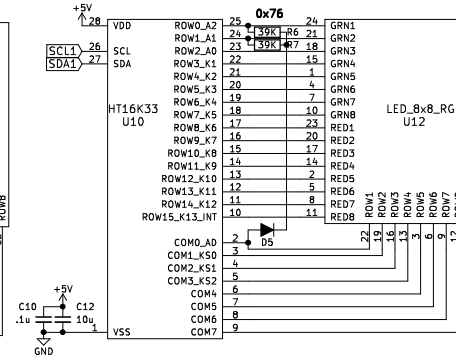
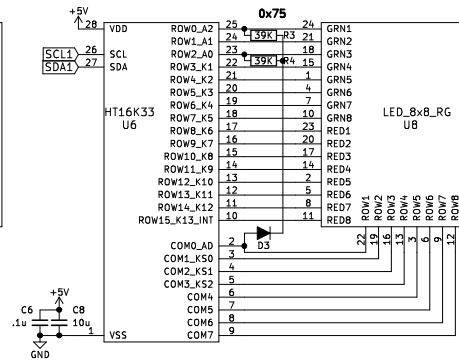
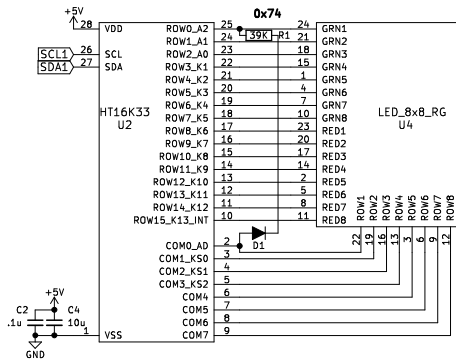
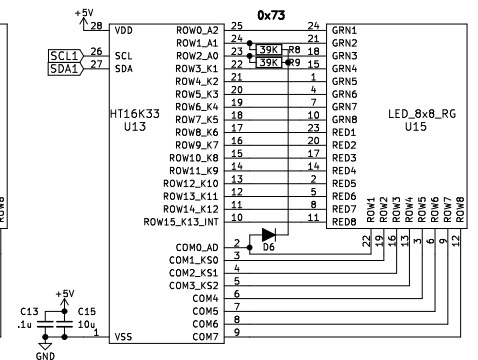
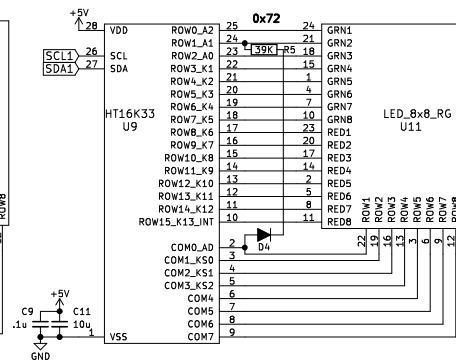
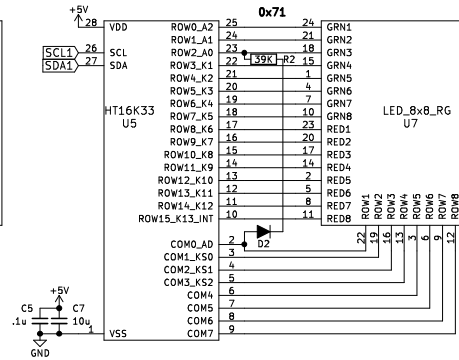
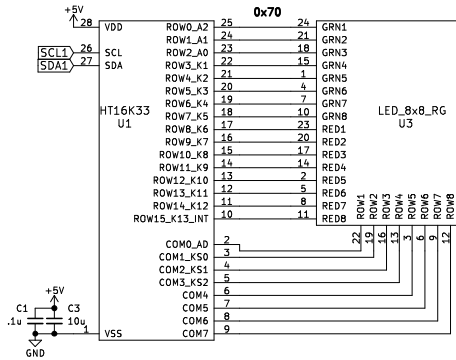
File: page1.sch

Sheet: Sheet2



File: page2.sch

Displays Block 1



Displays Block 2

